



Manufacturer of shut-off and control valves

TECHNICAL DATA SHEET

**Pressure regulator "after-self" high-temperature
ELEPHANT PRA-S-1030E-F-DA DN15-150 16 bar direct-
acting, cast iron, flanged**



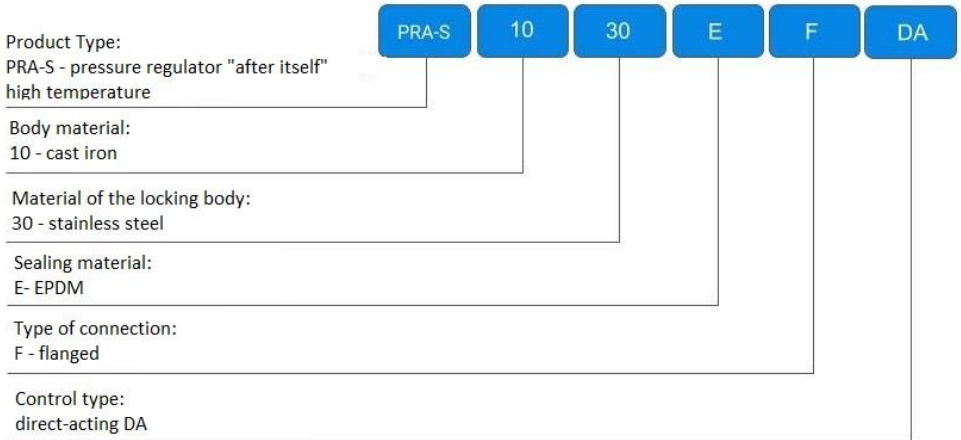
+34 900 433 073, sales@valveelephant.com
Carrer d'Aragó, 264, 3-1, 08007 Barcelona, Spain

GENERAL PRODUCT INFORMATION

Product name: Pressure regulator “after itself” high-temperature ELEPHANT PRA-S-1030E-F-DA DN15-150 16 bar direct-acting, cast iron, flanged.

Purpose: Direct-acting high-temperature pressure regulator “after itself” is designed for automatic maintenance of the set pressure of the working environment by changing the flow rate. The regulator valve is normally open in the absence of signal. IS NOT SUITABLE FOR OPERATION IN DEAD-END CIRCUITS.

Decoding of designation:



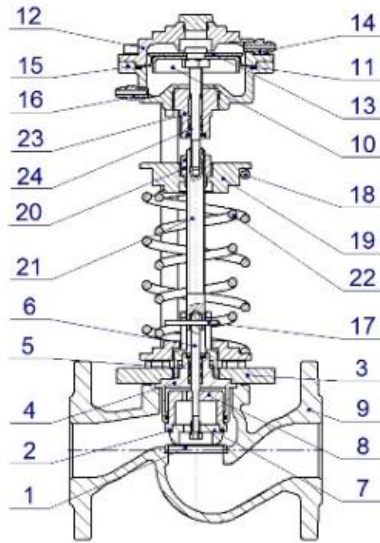
BASIC TECHNICAL DATA AND CHARACTERISTICS

Nominal diameter DN, mm	15 – 150
Nominal pressure PN, MPa (kg/cm ²)	1,6 (16)
Maximum working temperature t, °C	Up to +220
Ambient temperature t, °C	+5 to +50
Sealing in the gate	A
Working medium	Water, steam, superheated water
Pipeline connection	flanged
Leakage in the gate, % of Kvs, not more	0,05 – for liquid / 0.5 - for gas
Protection class	IP67

MATERIAL INFORMATION FOR MAJOR PARTS

Nº	Block name	Part number	Material
1	Valve 01	Seat	steel 40x13
2		Seal (discharge chamber seal)	EPDM
3		Valve bonnet	steel 20
4		Cup	
5		Sealing unit	guides - PTFE, gaskets - EPDM
6		Stem	40x13 steel
7		Plate	
8		Plug	40x13 steel
9		Valve body	cast iron
10	Drive 02	Diaphragm piston	
11		Diaphragm	EPDM on fabric backing
12		Cap (upper)	cast iron
13		Washer	steel 304
14		Connector (+) with red sleeve	
15		Cap (lower)	cast iron
16		Connector (-)	
17		Pin	
18	Probe 03	Setpoint spring (lower force)	
19		Washer	steel 304
20		Adjustment nut	steel 304
21		Rod	steel 40x13
22		Setpoint spring (higher force)	
23		Cup	
24		Sealing unit	guides - PTFE, gaskets - EPDM





BASIC DIMENSIONS OF CONTROL VALVES

DN	Stroke	L	H	Weight
mm				kg
15	10	130	432	12
20	16	150	438	12.5
25	20	160	445	13.1
32	22	180	466	14.9
40	25	200	475	16.9
50	25	230	490	20
65	32	290	528	25
80	32	310	652	31
100	40	350	700	43.5
125	50	400	772	55
150	60	480	805	67



REGULATOR SETTING RANGE EXECUTION, BAR (MPA)

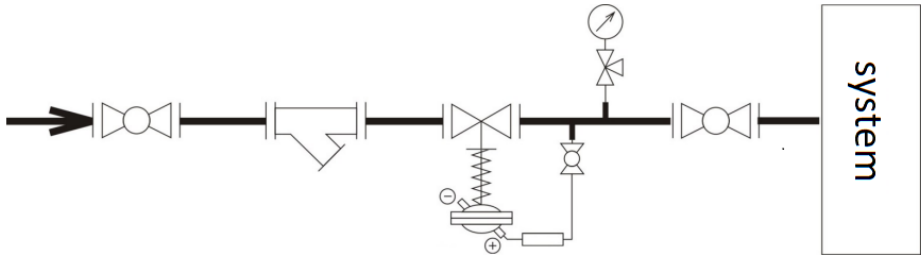
0.1	0.08...0.9 (0.008...0.09)	Orange spring
1.1	0.16...1.8 (0.016...0.18)	Orange spring
1.2	0.24...3.0 (0.024...0.30)	Grey spring
1.3	0.4...4.8 (0.04...0.48)	Orange spring + grey spring
2.1	0.5...5.8 (0.05...0.58)	Red spring
2.2	0.9...10.0 (0.09...1.0)	Yellow spring
2.3	1.4...15.8 (0.14...1.58)	Red spring + yellow spring

MAXIMUM NOMINAL THROUGHPUT

DN, mm	15	20	25	32	40	50	65	80	100	125	150
Kvs, m ³ /hour	0,25	2,5	4	6,3	10	16	25	32	63	100	160
	0,4	4	6,3	10	16	20	32	40	80	125	200
	0,63	6,3	8	12,5	20	25	40	63	100	160	250
	1	8	10	16	25	32	50	80	125	200	280
	1,6							100	160		
	2,5 4										



WIRING DIAGRAM

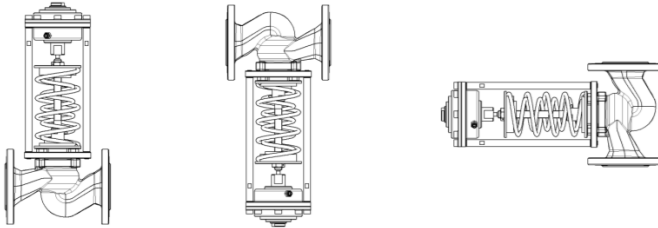


INSTALLATION AND OPERATION

1. Regulators should be used only under operating conditions corresponding to those specified in the operating documentation for it and for parameters not exceeding the values specified in this manual.
2. The regulator size is selected according to its conditional capacity depending on the parameters of the regulated system flow.
3. Before installing the regulator on the pipeline it is necessary to thoroughly flush and purge the system pipelines. Pipeline mating flanges should be installed without misalignment.

ATTENTION: IT IS FORBIDDEN TO USE PARTS OF THE CONTROLLER SET POINT AND ACTUATOR AS LOAD-CARRYING ELEMENTS DURING INSTALLATION WORK WITH THE CONTROLLER.

4. At medium temperature up to $+100^{\circ}\text{C}$ the regulator can be installed in any position



5. At higher temperatures, the regulator should only be installed on a horizontal pipeline with the regulating block facing downwards. It is recommended to install a filter upstream of the regulator.
6. A manual shut-off valve must be provided at the point of pulse intake to allow the pressure to be shut off from the pulse tube. In order to avoid contamination of the impulse line, the pulse intake should preferably be carried out from the top or side of the pipeline.
7. It is desirable to provide manual shut-off valves upstream and downstream of the regulator to allow maintenance and repair of the regulator without the need to drain the medium from the entire system.
8. In the process of installation must be prevented from getting inside the pipelines and regulator dirt, sand, scale, etc.
9. The connecting flanges must be aligned with each other.



WARRANTY PERIOD

Warranty period - 12 months from the date of commissioning, but not more than 18 months from the date of sale.

The warranty does not apply:

- parts and materials of the product subject to wear and tear
- for cases of damage caused by:
 - violations of the product storage, installation, testing, operation and maintenance specifications;
 - improper transportation and handling operations;
 - the presence of traces of exposure to substances aggressive to the product materials;
 - presence of damage caused by fire, elements, force majeure circumstances;
 - damage caused by incorrect actions of the consumer;
 - traces of tampering with the design of the product.

SALES MARK

No	Product Name	Packs

Date of Sale: _____

L.S.

