



Manufacturer of shut-off and control valves

TECHNICAL DATA SHEET

**Gate valve ELEPHANT GVKR1331N-2W-Fb-S
DN50-300 10 bar cast iron, interflanged
with hand wheel**



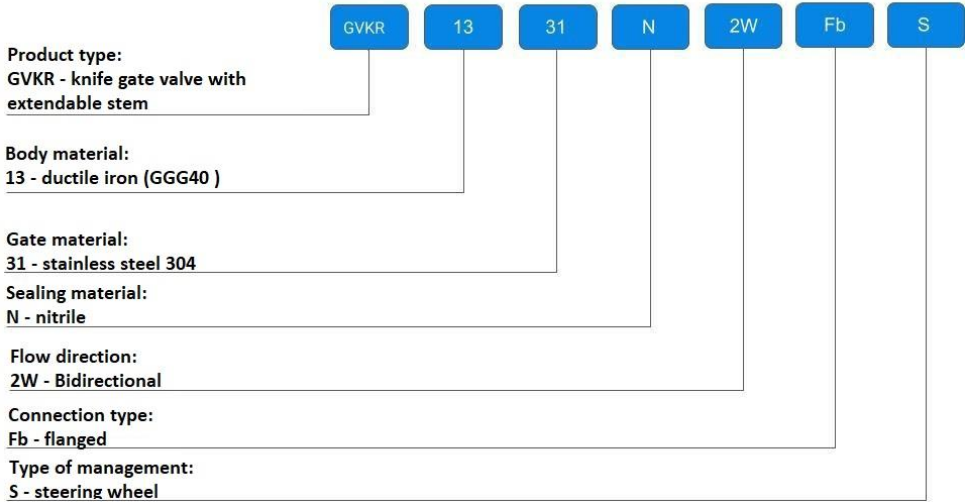
+34 900 433 073, sales@valveelephant.com
Carrer d'Aragó,264,3-1,08007 Barcelona, Spain

1. GENERAL INFORMATION ABOUT THE PRODUCT

- 1.1. Product name: Gate valve ELEPHANT GVKR1331N-2W-Fb-S DN50-300 10 bar cast iron, interflanged with hand wheel.
- 1.2. Purpose: The gate valve is designed for installation on the pipeline as a shut-off device in water treatment systems and chemical industry.



1.3. Deciphering the designation:



BASIC TECHNICAL DATA AND CHARACTERISTICS

Nominal diameter DN, mm	50 – 300
Nominal pressure PN, bar	10
Flow direction	double-sided
Ambient temperature t, °C	-10 to +90
Tightness in the gate	A
Operating medium	Wastewater, slurry, viscous, powdery and crystallized media
Pipeline connection	interflange
Control type	hand wheel
Stem	extendable
Design	O-ring
Body material	cast iron GGG40
Gate material	stainless steel AISI 304

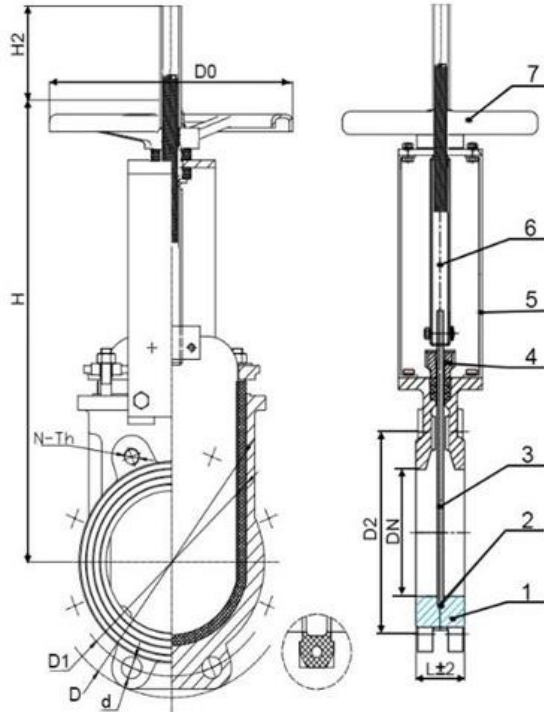
BASIC DIMENSIONS OF GATE VALVES

DN	PN	L	D	D1	D2	D0	N-Th	d	H	H2	Weight
											kg
mm											
50	10	50	165	125	99	180	4-M16	Ø18	290	96	8
65	10	50	185	145	118	180	4-M16	Ø18	320	96	9
80	10	50	200	160	132	220	4-M16	Ø18	350	103	13
100	10	50	220	180	156	240	4-M16	Ø18	385	129	14
125	10	50	250	210	184	240	4-M16	Ø18	430	-	18
150	10	62	285	240	211	280	8-M20	Ø23	485	183	24
200	10	62	340	295	266	300	12-M20	Ø23	565	234	31
250	10	70	405	355	319	320	12-M24	Ø27	680	283	48
300	10	80	460	400	370	320	12-M24	Ø27	755	330	63



MATERIAL INFORMATION FOR MAJOR PARTS

№	Product Name	Material	№	Product Name	Product Name
1	Body	Cast iron GGG40	4	Gland	Gland
2	Seat seal	Nitrile NBR	5	Support plates	Support plates
3	Knife	Steel AISI304	6	Stem	Stem



INSTALLATION AND OPERATION

1. Recommended position of the gate valve on the pipeline:
 - VERTICAL (handwheel or actuator upwards) on horizontal piping.
 - HORIZONTAL (with hand wheel or actuator to the side) on horizontal and vertical pipelines.
 - **IT IS NOT ALLOWED TO INSTALL THE GATE VALVE WITH HAND WHEEL OR ACTUATOR DOWNWARDS!**
2. Gaskets must be installed between the flanges of the gate valve and the pipeline during installation.
3. If the pipeline sections are not permanently fixed to permanent supports, they must be temporarily fixed. This is necessary to avoid unnecessary mechanical stress on the gate valve, possible damage.
4. Bolts (for blind holes) and studs (for through holes) are used to mount the gate valve. **DO NOT** use 2 bolts connected by an extended nut instead of studs. Bolts and studs must be tightened evenly crosswise in several passes.
5. It is not allowed to mount the gate valve pre-mounted with flanges and then weld the flanges to the pipe. This method of installation may cause metal splashes to get and stick to the gate valve blade, which will lead to failure of the gland seal and leakage through the gland. It is also possible to damage the gate valve seat seal with molten metal splashes, as a result of which the gate valve may lose its ability to hermetically shut off the flow.

During inspection check: general condition of the gate valve; threaded part of the spindle, which should be lubricated; condition of bolted connections; tightness of gasket connection and gland seal.



WARRANTY PERIOD

Warranty period - 12 months from the date of commissioning, but not more than 18 months from the date of sale.

The warranty does not apply:

- parts and materials of the product subject to wear and tear
- for cases of damage caused by:
 - violations of the product storage, installation, testing, operation and maintenance specifications;
 - improper transportation and handling operations;
 - the presence of traces of exposure to substances aggressive to the product materials;
 - presence of damage caused by fire, elements, force majeure circumstances;
 - damage caused by incorrect actions of the consumer;
 - traces of tampering with the design of the product.

SALES MARK

No	Product Name	Packs

Date of sale: _____

L.S.

