



Manufacturer of shut-off and control valves

## TECHNICAL DATA SHEET

**Gate valve ELEPHANT GVKR1331E-2W-Fb-S  
DN65-150 10 bar cast iron, interflanged WENZ  
with hand wheel**



+34 900 433 073, [sales@valveelephant.com](mailto:sales@valveelephant.com)  
Carrer d'Aragó,264,3-1,08007 Barcelona, Spain

## 1. GENERAL PRODUCT INFORMATION

1.1. Product name: Gate valve ELEPHANT GVKR1331E-2W-Fb-S DN65-150 10 bar cast iron, interflanged WENZ with hand wheel.

1.2. Purpose. Gate valve is designed for installation on the pipeline as a shut-off device and regulation of the working medium flow in water supply systems (except for drinking water supply systems) and chemical industry.

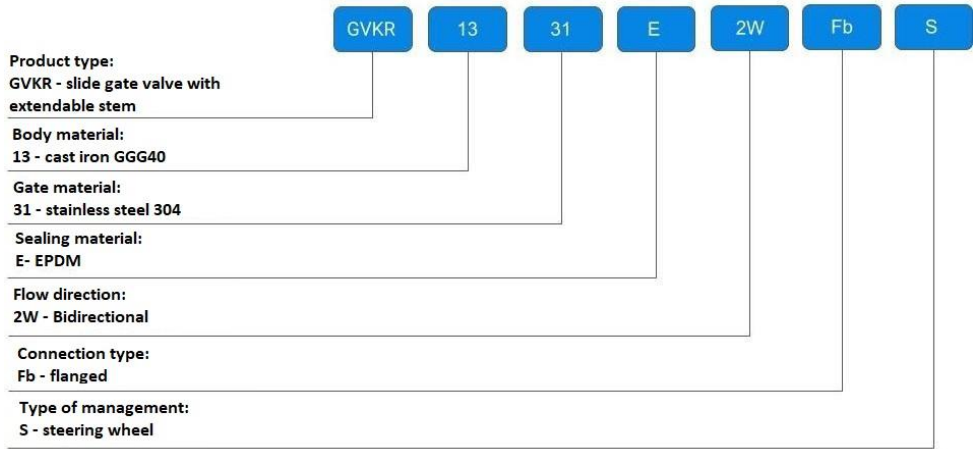
1.3. The principle of operation of the gate valve is to move the gate (knife) perpendicular to the flow of medium. At full closing of the pipeline nominal bore diameter the flow is stopped, at partial closing the flow is regulated.



*\*Image may differ from the original*



#### 1.4. Deciphering of the designation:



## 2. BASIC TECHNICAL DATA AND CHARACTERISTICS

Table 1

Nominal diameter DN, mm	65 - 150
Nominal pressure PN, bar	10
Working medium temperature t, °C	-30 to +110
Working medium	water, slightly contaminated liquids with suspended solids up to 5%
Medium flow direction	double-sided
Leaktightness class	A
Control type	hand wheel
Pipeline connection	interflange
Body material	cast iron GGG40
Gate material	stainless steel AISI 304
Areas of application	heating and water supply systems (except drinking water supply systems), industrial pipelines
Average service life, years	10
Average life, closing/opening cycles	20 000 – 50 000



### 3. BASIC MATERIALS

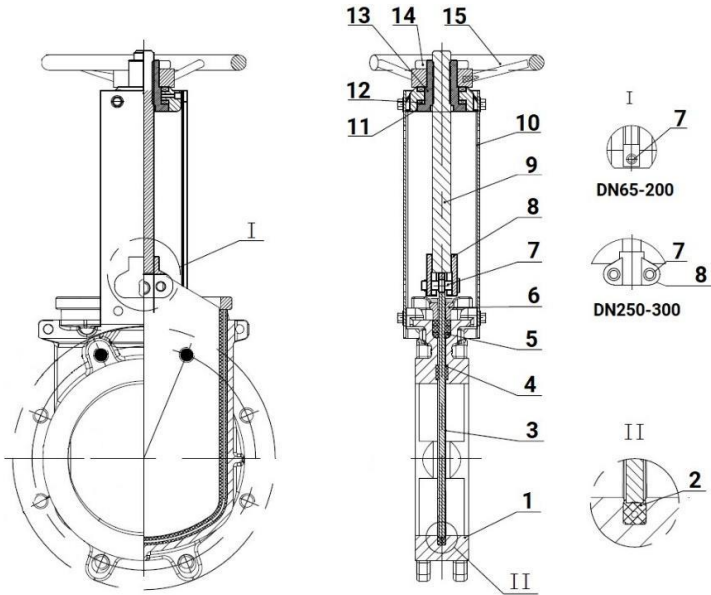


Table 2

Nº	Part name	Material
1	Housing	cast iron GGG40
2	Seat seal	EPDM
3	Schieber	stainless steel SS304
4	Guide seal	PTFE
5	Packing	PTFE
6	Gland	WCB steel
7	Pin	steel 45
8	Chuck	WCB steel
9	Rod	steel 2Cr13
10	Rack	steel Q235
11	Rack top plate	cast iron HT200
12	Bearing	steel GCr15
13	Nut	brass
14	Cover	steel Q235
15	Handwheel	cast iron GGG40



## 4. WEIGHT AND DIMENSIONAL PARAMETERS

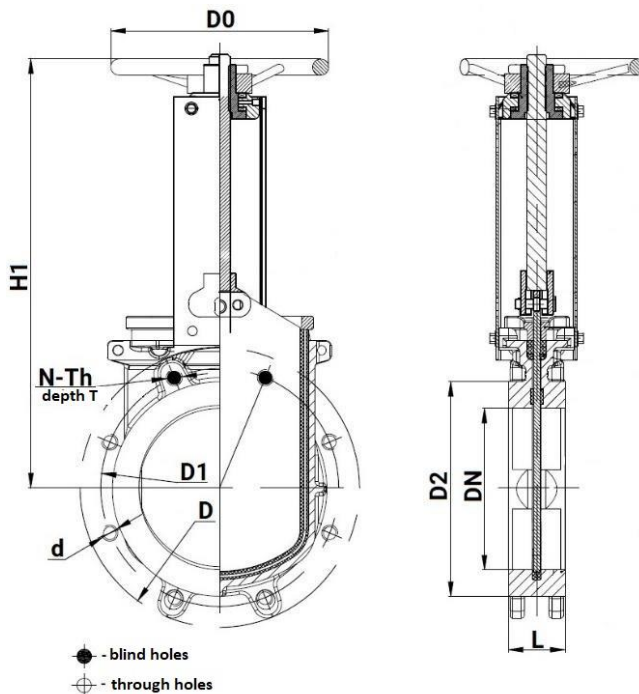


Table 3.1

DN	L, mm	D, mm	D1, mm	D2, mm	D0, mm	H1
65	48	185	145	118	200	330
80	51	200	160	132	200	358
150	57	285	240	211	280	490

Table 3.2

DN	N - Th	T, mm	Ød, mm	●	□	Weight, kg
65	4 - M16	12	18	2	2	8,5
80	8 - M16	12	18	2	6	9,5
150	8 - M20	14	23	2	6	18,0

\* N - total number of holes; Th - thread of blind holes; Ød - diameter of through holes



## 5. INSTALLATION AND OPERATING INSTRUCTIONS

5.1. To installation, operation and maintenance of gate valves are allowed personnel who have studied the device of the gate valve, safety rules, requirements of the manual for installation, adjustment, operation and maintenance, certified for the relevant type of work.

5.2. Gate valves should be installed on pipelines for media and parameters specified in the product passport.

5.3 Before installation it is necessary to remove the plugs and make the gate valve preservation with a clean rag moistened with white spirit, gasoline or other, blow out the inner surface with clean air (in accordance with the order established at the enterprise). The pipeline should be thoroughly cleaned of dirt, sand, scale, etc..

5.4. The flanges on the pipeline shall be installed without misalignment. The pipeline shall be secured and fully unloaded by the time of installation of the gate valve.

5.5. Before starting up the system with installed gate valves immediately after installation, all gate valves shall be opened and the pipelines shall be flushed.

5.6 Tightness tests should be carried out in accordance with the established procedure at the enterprise.

5.7. During operation it is necessary to carry out periodic inspections (routine work) within the terms established by the operating organization, depending on the operating modes of the system.

5.8. During inspection check: the general condition of the gate valve, the threaded part of the spindle, which should be lubricated, the condition of bolted connections, tightness of the gasket connection and gland seal.

5.9. To ensure labor safety it is strictly forbidden to carry out works on defect elimination in the presence of excessive pressure of the working medium in the pipeline.



## **6. TRANSPORTATION AND STORAGE CONDITIONS**

- 6.1. Transportation and storage conditions - in accordance with the procedure established at the enterprise.
- 6.2. Gate valves are transported in containers in accordance with the procedure established at the enterprise and secured against possible movements with the wedge lowered to the stop.
- 6.3. Transportation without packing is allowed, provided that there are no shock loads.
- 6.4. Mechanical damage and contamination of internal surfaces of gate valves during transportation are not allowed.
- 6.5. Gate valves should be stored in dry warehouses, protected from direct sunlight and removed at least 1 m. from heat-emitting devices, as well as not exposed to oil, gasoline.
- 6.5. Passage openings should be closed with plugs.
- 6.7. Gate valves in long-term storage are subject to periodic inspection at least once a year. In case of violation of preservation make preservation again. Apply preservation lubricant on degreased clean and dry surface of parts. Degreasing should be performed with a clean rag soaked in gasoline.

## **7. UTILIZATION**

- 7.1. The product is disposed of in accordance with the procedure established at the enterprise (remelting, burial, resale).
- 7.2. Before sending the valve for utilization, the residues of the working medium shall be removed from the valve. Methods of removal of the working medium and decontamination of the valve must be approved in accordance with the established procedure at the enterprise operating the valve.





## **8. WARRANTY OBLIGATIONS**

8.1. Warranty period - 12 months from the date of commissioning, but not more than 18 months from the date of sale.

8.2. The warranty applies to equipment installed and used in accordance with the installation instructions and product specifications described in this data sheet.

8.3. The manufacturer guarantees compliance of the product with safety requirements, provided that the consumer complies with the rules of transport, storage, installation and operation.

8.4. The warranty covers all defects caused by the fault of the manufacturer.

8.5. The warranty does not apply:

- parts and materials of the product subject to wear and tear;
- for cases of damage caused by:
  - modifications to the original design of the product;
  - violation of general installation recommendations;
  - faults caused by improper maintenance and storage; improper operation and use of the equipment.

## **9. WARRANTY TERMS**

9.1. Claims to the quality of the goods may be made during the warranty period.

9.2. Defective products are repaired or exchanged for new ones free of charge during the warranty period. ELEPHANT decides whether to replace or repair the product. The replaced product or its parts resulting from the repair shall become the property of 'ELEPHANT'.

9.3. Costs related to dismantling, installation and transport of the defective product during the warranty period shall not be reimbursed to the Buyer.

9.4. If the claim is unfounded, the Buyer shall pay the costs of diagnostics and expertise of the product.

9.5. Products are accepted for warranty repair (as well as for return) fully assembled.



## WARRANTY CARD № \_\_\_\_\_

№	Product Name	Packs

Name and address of the trading organisation \_\_\_\_\_

Date of sale \_\_\_\_\_ Seller's signature \_\_\_\_\_

Stamp or seal of the trading organisation \_\_\_\_\_ Acceptance stamp \_\_\_\_\_

I agree with the terms and conditions of the warranty:

Buyer \_\_\_\_\_ (signature)

Warranty period - 12 months from the date of commissioning, but not more than 18 months from the date of sale.

For warranty repairs, complaints and product quality claims, please contact ELEPHANT at: Carrer d'Aragó,264,3-1,08007 Barcelona, Spain. E-mail address: sales@valveelephant.com.

When making a complaint about the quality of goods, the buyer shall present the following documents:

1. A free-form application, which shall specify:
  - name of the organisation or full name of the buyer, actual address, contact telephone numbers;
  - name and address of the organisation that carried out the installation;
  - basic parameters of the system in which the product was used;
  - a brief description of the defect.
2. Document confirming the purchase of the product (delivery note, receipt)..
3. Act of hydraulic test of the system in which the product was installed.
4. This completed warranty card.

A note on the return or exchange of goods \_\_\_\_\_

Date: « \_\_\_ » \_\_\_\_\_ 202\_\_yr. Caption \_\_\_\_\_

